



Comet



6870-PO3-CR4G10 S/R

Comet 390lm 60mm 3.4W GU10 CR4

Sleek and stylish, that is U-Tron's Comet spot light. It has a very focussed beam that is excellent for product displays, reading lights, museums, and the list goes on and on.

Product Technical Data

General Informaion

Socket Type GU10
Life Span 50000hr

Light Characteristics

Efficacy 114.70lm/W
Beam Angle 60 D
CCT 4000K
Flux 390lm
Color Rendering Index

Electrical Characteristics

Wattage 3.4W
Voltage universal
Power Factor 0.937

Temperature

Operating Temp. -30(min), 65(max)C
Storage -40(min), 65(max)C

Product Dimensions

Circular Diameter 51mm
Lamp Height 57mm
Bipin Distance B1 12.7mm
Mounting Hole Diameter 28mm
Circular Outline Dimension 26mm

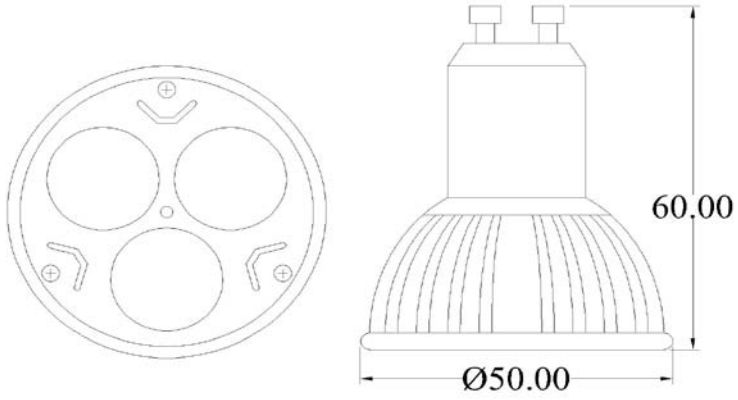
Ordering Information

Product Number 6870-PO3-CR4G10S
Product Name Comet Spotlight G10
Product Ordering Name Comet 390lm mm 3.4W G10
Pieces Per Pack 1
Packs Per Carton 240
Net Weight Per Piece 130 Grams

www.u-tron.com



Technical Drawing



©2012 U-Tron (Beijing) Electronics Co., LTD

All rights reserved

Specifications are subject to change without notice

15-Feb-12

data subject to change